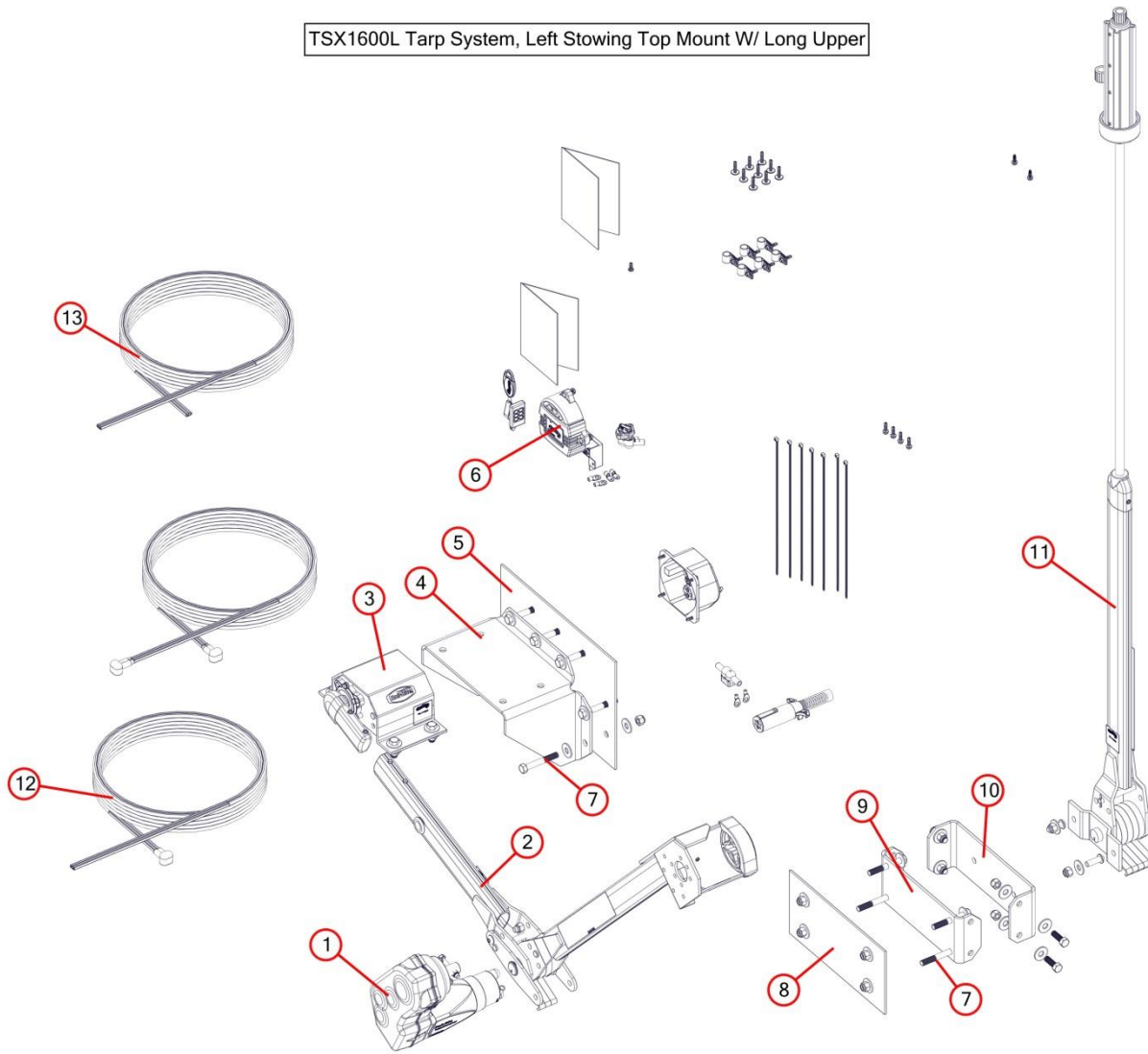
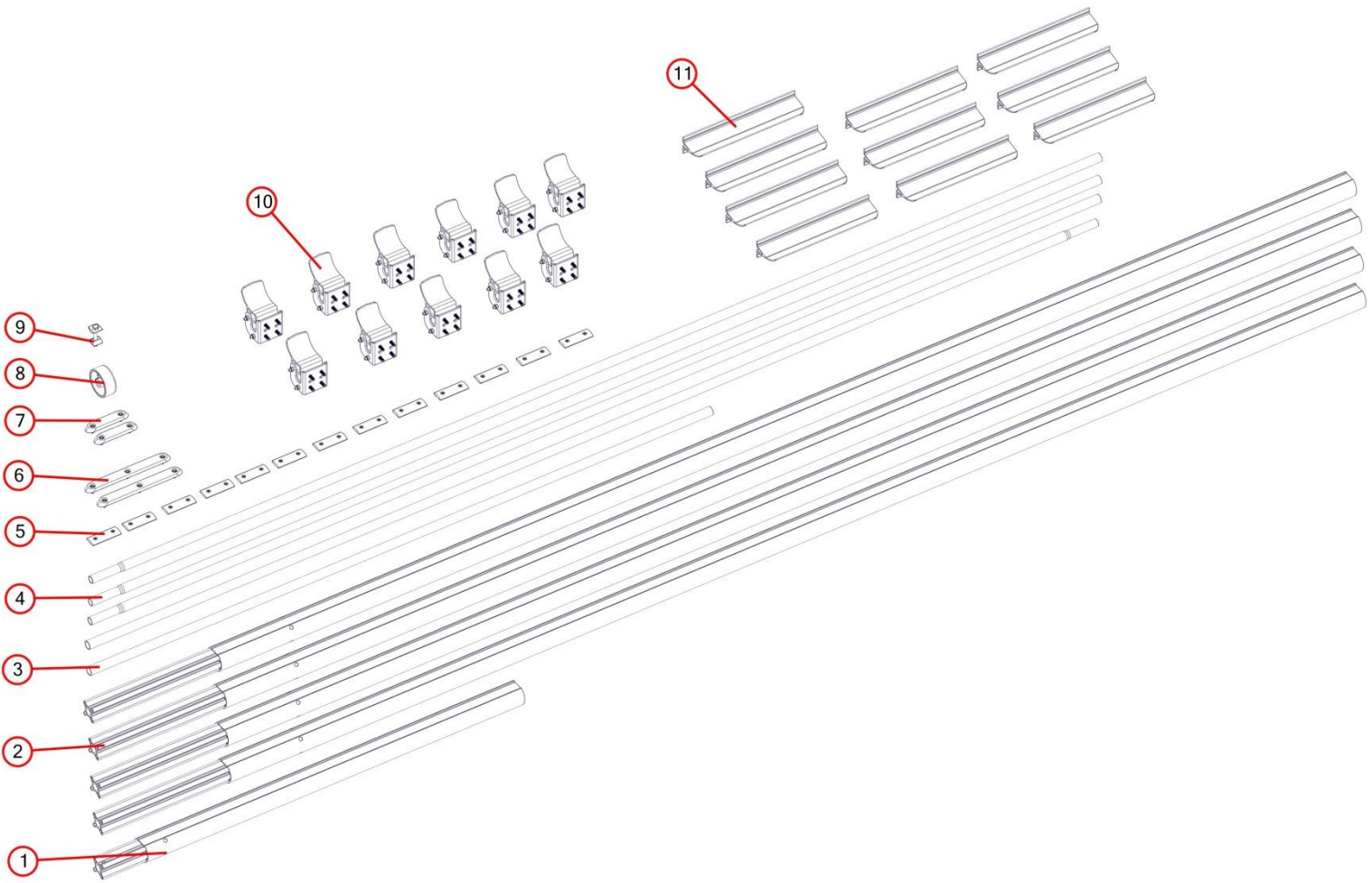


TSX1600L Tarp System, Left Stowing Top Mount W/ Long Upper



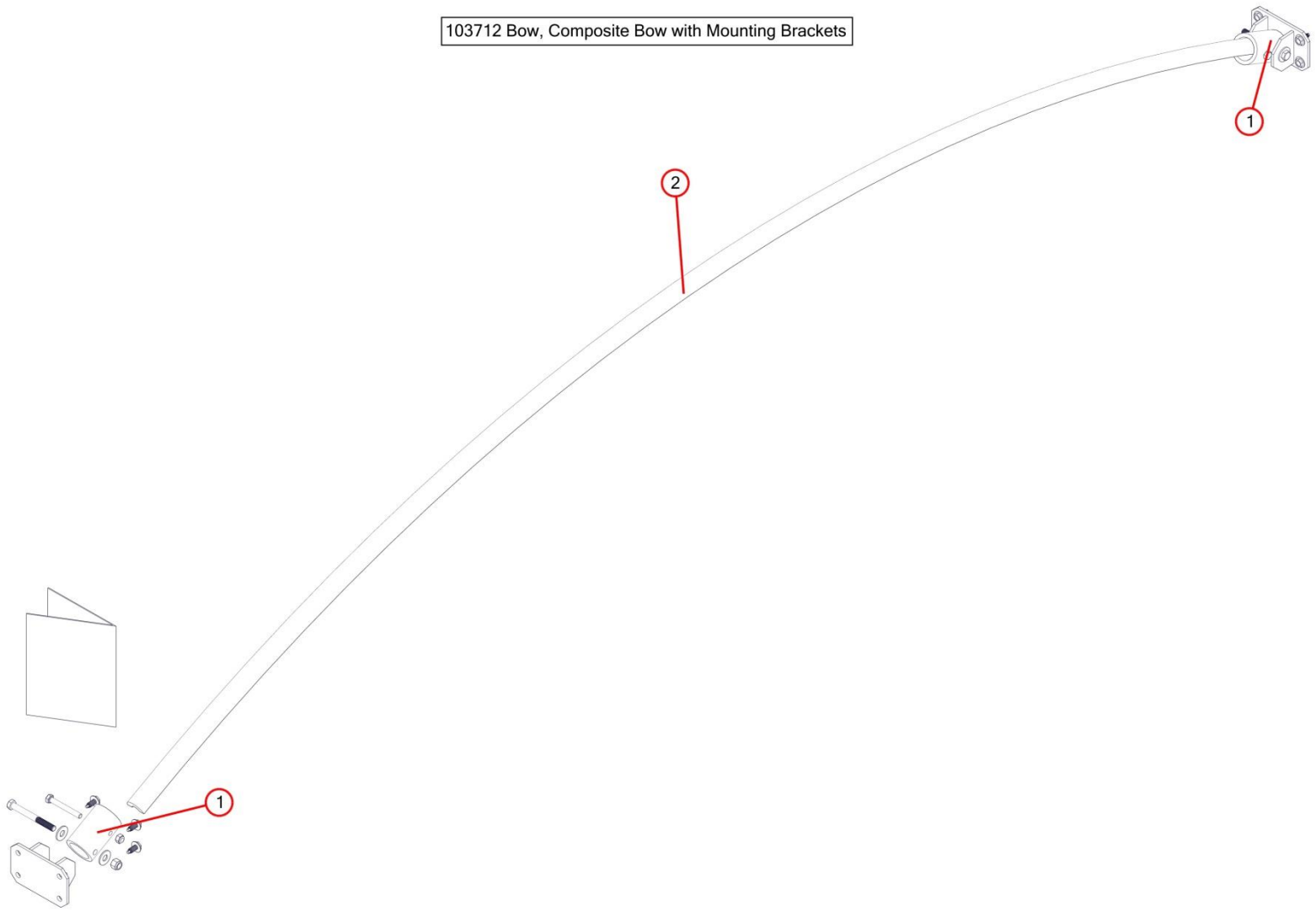
Bom ID	Part#	Description	qty
Ref	TSX1600L	Tarp System, Left Stowing Top Mount W/ Long Upper SN:TS	1
1	10210	Gear Motor, Tarp Stretcher w/5 Year Warranty 24V - S/N: TS	1
2	103810L	Pivot, Assembled Front Arm for 103796 Power Kit Passenger Stowing	1
3	46470	Pivot, Assembly. 6-spr Top Mnt Pvt w/o tube-Driver	1
4	47200	Bracket, AL for Mting Top Mnt Pvt to Vertical Surface	1
5	103813	Bracket, AL Plate for Top Mount Pivot Box Mount	1
6	102615	Electric Kit, Rite Touch With 6 gauge with TSCM and RF 24 volt	1
7	102010	Bolt 1/2"-13x3 1/2" Hex Head	11
8	103815	Bracket, AL Plate for Multi-Flex Mount	1
9	47277	Bracket, Inner Bracket for Multiflex	1
10	47278	Bracket, Outer Mounting Bracket for Multiflex	1
11	46507	Pivot, Left Assembled 5-Spring 3" Axle Rear Flex Arm Kit	1
12	103843	Wire, 34' Dual Conductor 8 ga Terminated w/Boots & Shrink tube on One end	1
13	100740	Wire, 8 Ga. Dual Conductor (foot)	1

102576 Axle Kit, 3" w/Out Ridge Pole for 49' - 53' Trailers



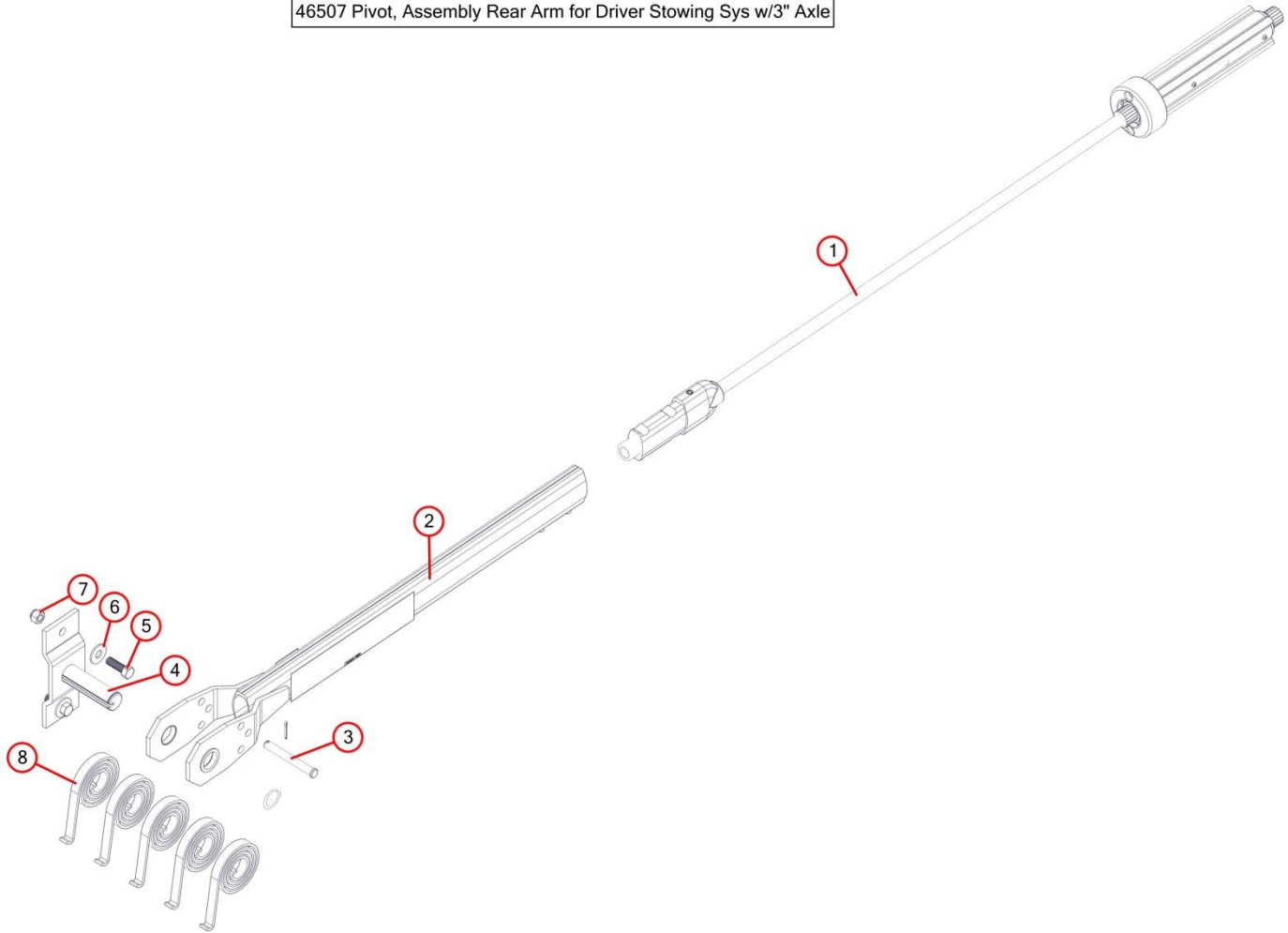
Bom ID	Part#	Description	qty
Ref	102576	Axle Kit, 3" w/Out Ridge Pole for 49' - 53' Trailers (B1-102569 & B2-102550)	1
1	102551	Axle, 3" Clip Short Front section for 3' Axle 53.75"	1
2	102292	Axle, 3" Center Section Axle Kit (Full Length)	4
3	102305	Rod, 101815 Steel Tarp Securing Rod cut to 88 3/4" No Swedge	1
4	101815	Steel Tubing, 1.125Dx16 ga x 12' Rnd Galv W/Swedge on end	4
5	37830	Clip, Tarp Clip w/ hardware for Side-to-Side Axle	13
6	37510	Guard, 12" Plastic Rub -Each-	2
7	37500	Guard, 6" Plastic Rub -Each-	2
8	102033	Bungee Cap, 3" Axle Cap with Screws	1
9	102038	Hardware, Shim Kit for 3" Side to Side Axle	1
10	36730	Bracket, Tarp Stop w/Bracket for Side-to-Side System	11
11	102554	Locking Lip, 61113 3" locking lip Cut to 15 7/8" Long	10

103712 Bow, Composite Bow with Mounting Brackets



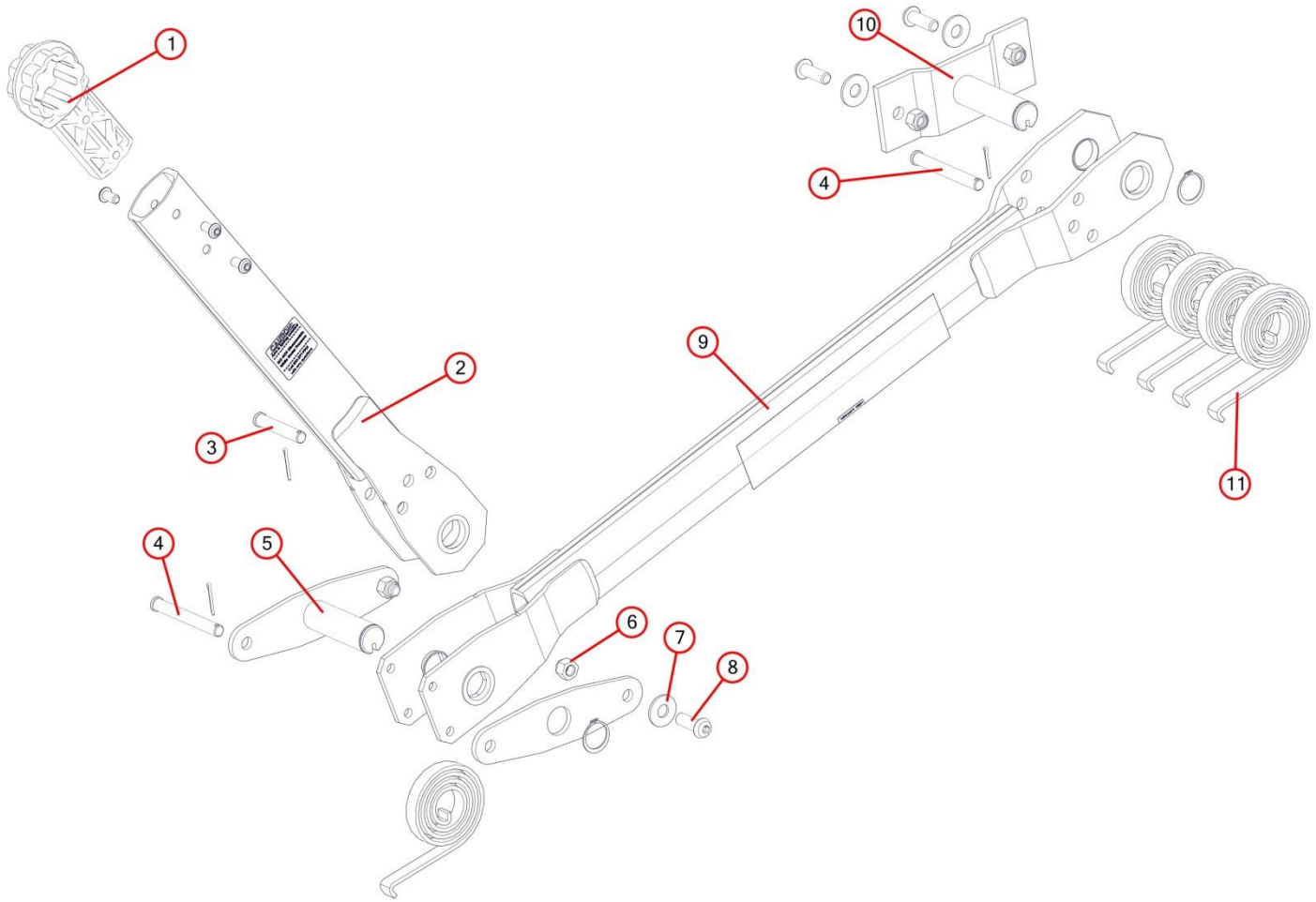
Bom ID	Part#	Description	qty
Ref	103712	Bow, Composite Bow with Mounting Brackets	1
1	103704	Bracket, Adjustable Socket Style Mount for Composite Bow	2
2	102924	Bow, Fiber Reinforced Flexible (U-Shape)	1

46507 Pivot, Assembly Rear Arm for Driver Stowing Sys w/3" Axle

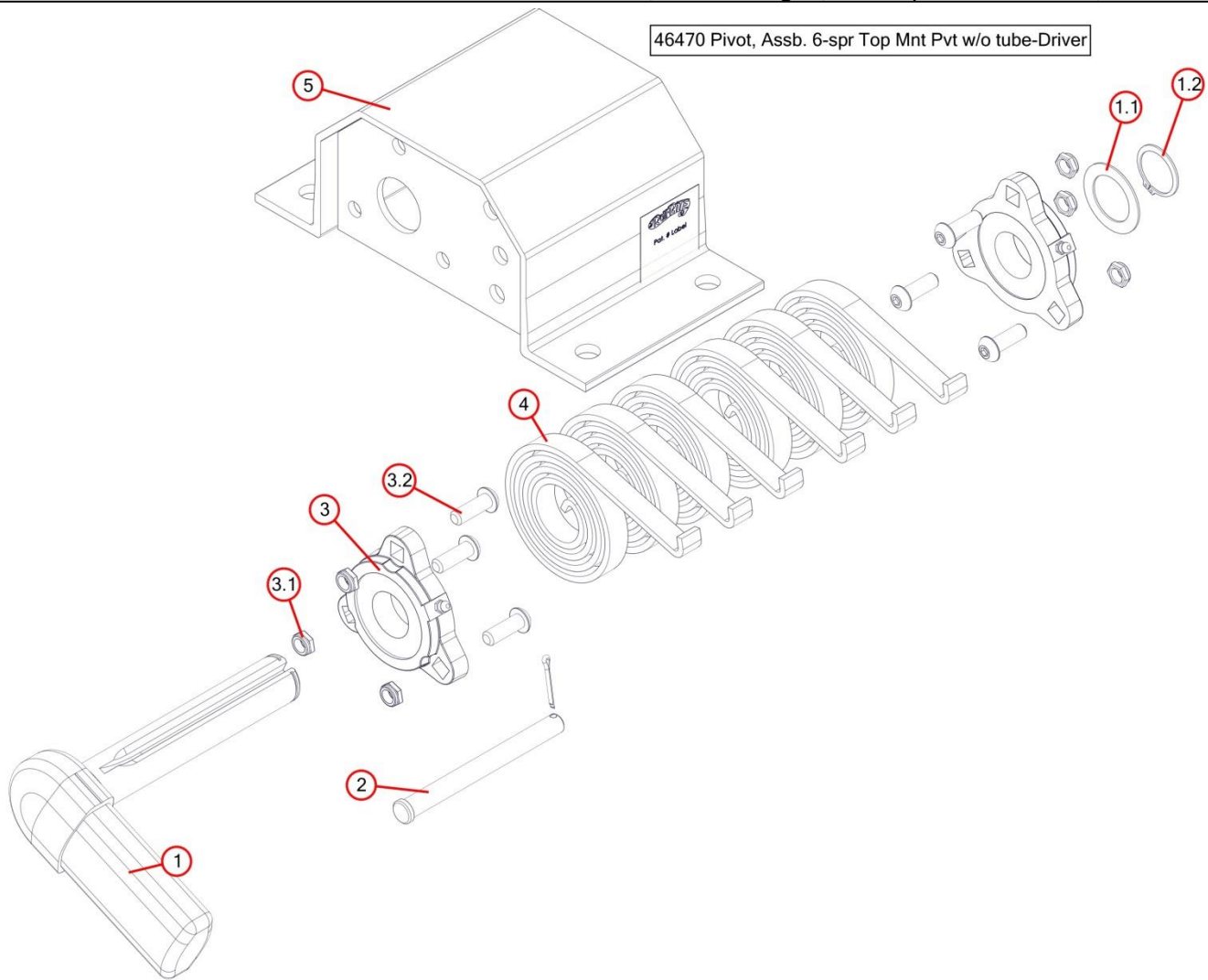


Bom ID	Part#	Description	qty
Ref	101267L	Pivot, Assy Front Arm for 38206 Power Kits	1
1	37590	Bushing, Axle Stabilizer for 3694 Conversion Adapt	1
2	48890	Pivot Tube, Long upper pvt arm for TT SS-16"-	1
3	47960	Bracket, 3 Sp Knuckle pin w/ stop plate for SS pvt, mtr end	1
3.1	47962	Plate, Knuckle Pin Plate w/o Pin (Double Ended, Al)	1
3.2	47000	Snap Ring, 1 1/4" External for Pivot Pin	1
4	18295	Bolt, 1/2" x 1 1/2" Button Head Bolt	2
5	18412	Washer, 1/2" Flat Zinc	2
6	18631	Nut, 1/2" Nylock Nut	2
7	18510	Pin, 1/2" x 2-3/4" Clevis	1
8	18560	Pin, 1/2 x 4 1/8 Special Clevis	2
9	48440	Pivot Tube, Base Arm for External Pivot Retro fit Kit on Grain Trailers	1
10	47230	Spring, Spiral Torsion Spring 1 1/4	7
11	45350	Pivot Pin, 5-Spring	1
11.1	47000	Snap Ring, 1 1/4" External for Pivot Pin	1
12	11335	Wire, 6 ga. Dual Conductor -35ft-	1

101268L Pivot, Assembled Rear Arm for 38206 Rite-Lock Power Arm Kit



Bom ID	Part#	Description	qty
Ref	101268L	Pivot, Assembled Rear Arm for 38206 Rite-Lock Power Arm Kit	1
1	101742	Bushing, One Piece Rear Upper Arm Bushing (50/box)	1
2	101855	Pivot Tube, Raw Upper Tube For Dual Arm W/Bolt in upper bushing	1
3	18510	Pin, 1/2" x 2-3/4" Clevis	1
4	18560	Pin, 1/2 x 4 1/8 Special Clevis	2
5	47960	Bracket, 3 Sp Knuckle pin w/ stop plate for SS pvt, mtr end	1
6	18631	Nut, 1/2" Nylock Nut	4
7	18412	Washer, 1/2" Flat Zinc	4
8	18295	Bolt, 1/2" x 1 1/2" Button Head Bolt	4
9	48440	Pivot Tube, Base Arm for External Pivot Retro fit Kit on Grain Trailers	1
10	46350	Pivot, Assembly. 4-Spr. UB Pivot w/o Tube-passenger	1
11	47230	Spring, Spiral Torsion Spring 1 1/4	5



Bom ID	Part#	Description	qty
Ref	46470	Pivot, Assembly. 6-spr Top Mnt Pvt w/o tube-Driver	1
1	46360	Pivot Pin, for 5 & 6-Spring Roller Bearing - DRV	1
1.1	47010	Bushing, Pivot 1 1/4 Machinery Bushing for Pivot Pin	1
1.2	47000	Snap Ring, 1 1/4" External for Pivot Pin	1
2	18540	Pin, 1/2" x 5-1/4" Clevis	1
3	47800	Bearing, Carrier Underbody Flanged	2
3.1	18628	Nut, Nylock nut 3/8" Jamb Nut	3
3.2	18242	Bolt, 3/8"-16 x 1 1/8" Button Head	3
4	47230	Spring, Spiral Torsion Spring 1 1/4	6
5	46400	Bracket, for 6-Spring Top Mount Pivots-each	1